



Μηχανικοί Χωρίς Σύνορα
Engineers Without Borders - Greece



IOANNIS KOUJIANOS
www.ewb.gr

Autopsies of Buildings After the Earthquake in Attica

- The EWB-Greece corresponding in demand of Municipalities in the extended area of Athens after the earthquake carried approximately 80 autopsies in buildings that had suffered important damage.
- The reports that were drawn up were delivered in the responsible Municipalities so that they are evaluated and they enjoy the suitable confrontation from the State.
- The autopsies were held by 16 members of the organisation that worked in 8 teams of 2 individuals.

Technical Assistance in the Rural Area Arambagh in West Bengal India



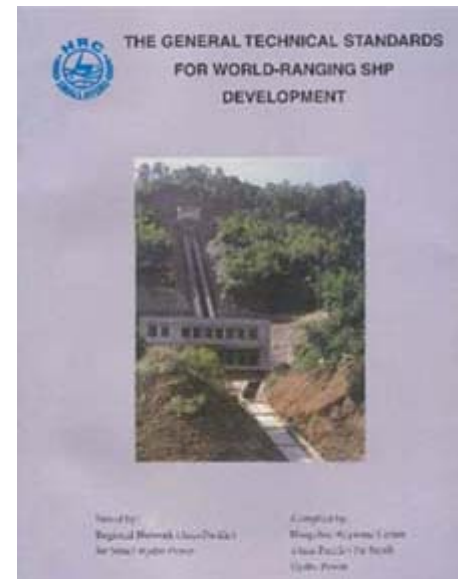
Technical Assistance in the Rural Area Arambagh in West Bengal India



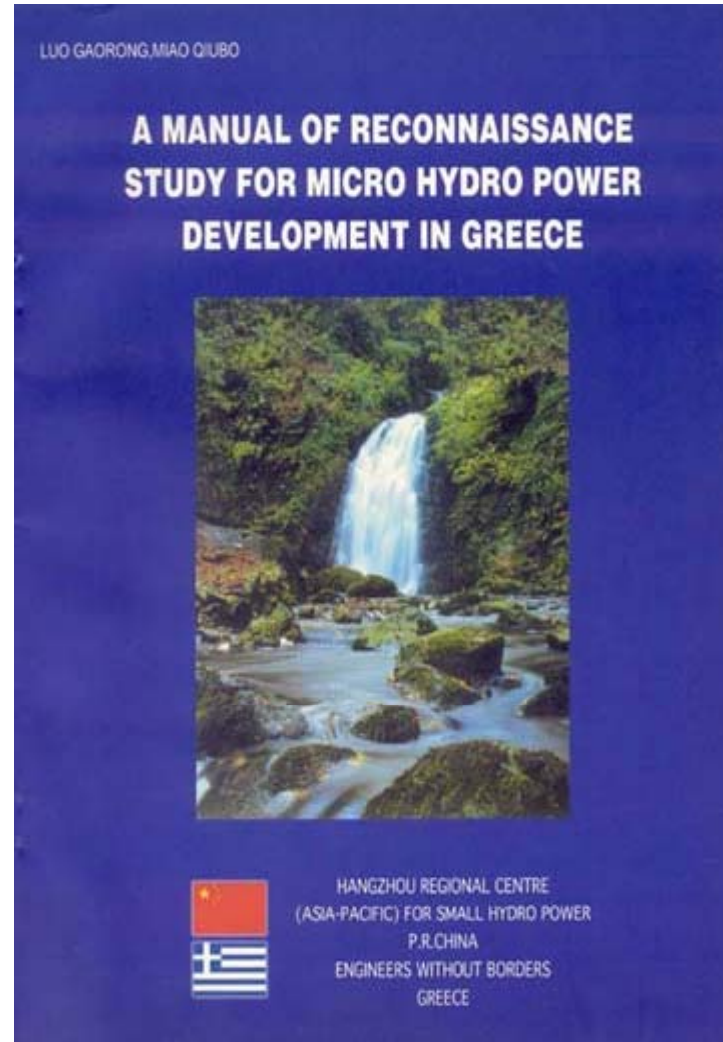
Water Resources Management of Two River Basins and Study of Two Ponds in Cape Verde



The General Technical Standards for World Ranging Small Hydro Power Development



A Manual of Reconnaissance Study for Micro Hydro Power Development in Greece



Seminar on Small Hydro Power in Athens



Maternity House in the Area of Kalasa in Pakistan



Maternity House in the Area of Kalasa in Pakistan



Multipurpose Building in South Ethiopia



Multipurpose Building in South Ethiopia



Multipurpose Building in South Ethiopia



Damte Dam in South Ethiopia



Damte Dam in South Ethiopia



Damte Dam in South Ethiopia



Damte Dam in South Ethiopia



Damte Dam in South Ethiopia



Damte Dam in South Ethiopia



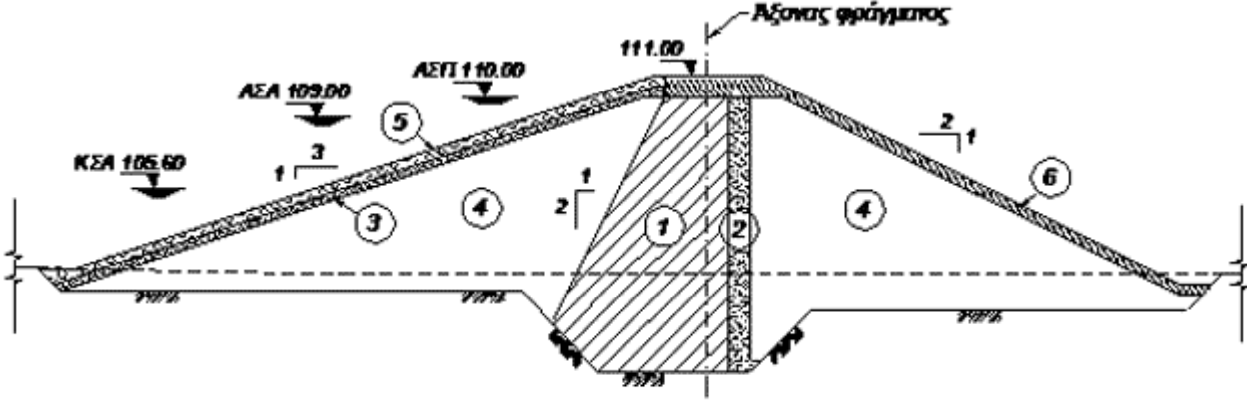
Damte Dam in South Ethiopia



Damte Dam in South Ethiopia



Damte Dam in South Ethiopia



Damte Dam in South Ethiopia



Damte Dam in South Ethiopia



Damte Dam in South Ethiopia



Damte Dam in South Ethiopia

